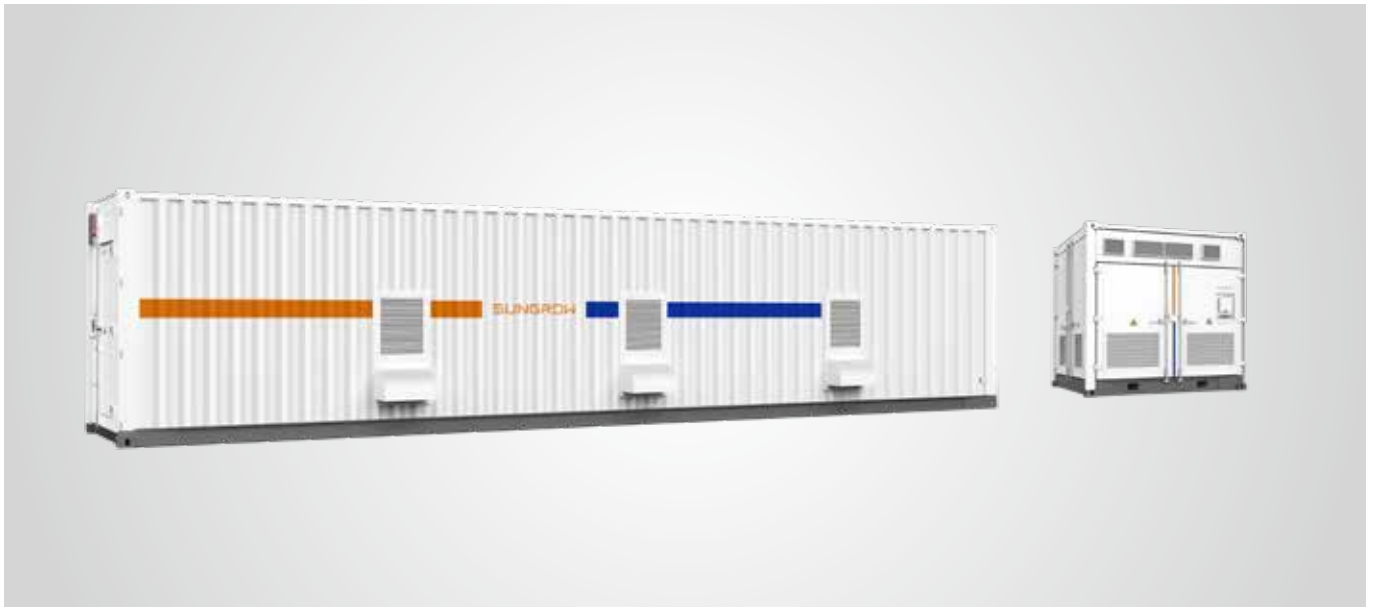


ST2740KWH-2500HV

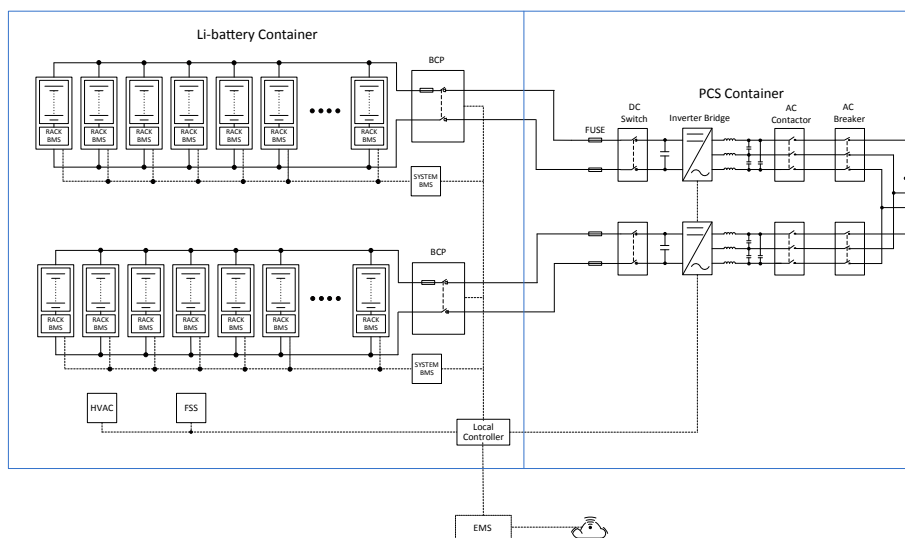
Storage System



SYSTEM FEATURES

- Highly integrated system with separate PCS and battery units
- Flexible system configuration for easy capacity expansion
- High efficiency system integrated with reliable lithium battery
- Integrated local controller to enable unified communication
- Integrated HVAC and FSS to ensure system safety and maximize system efficiency

CIRCUIT DIAGRAM



System Type	ST2740KWH-2500HV
Battery Data	
Cell type	Samsung SDI Mega M2F, 3.68V/94Ah
Configuration of system	264S30P
Battery capacity (BOL)	2,740 kWh
Battery voltage range	844 ~ 1,095 V
BMS communication interfaces	RS485, Ethernet
BMS communication protocols	Modbus RTU, Modbus TCP
AC Data	
Nominal AC power	2,500 kVA
Max. AC power	2,750 kVA
Max.THDr of current	< 3 % (at nominal power)
DC component	< 0.5 % (at nominal power)
Nominal grid voltage	550 V
Grid voltage range	484 ~ 625 V
Power factor	> 0.99 (at nominal power)
Adjustable power factor	1 leading ~ 1 lagging
Nominal grid frequency	50 Hz
Grid frequency range	45 ~ 55 Hz
Isolation method	Transformerless
Nominal output voltage of off-grid	484 ~ 625 V
Max.THDr of off-grid output voltage	< 3 % (linear load)
General Data	
Dimensions of PCS unit (W * H * D)	2,991 * 2,591 * 2,438 mm / 117.8" * 102.0" * 96.0"
Dimensions of battery unit (W * H * D)	12,192 * 2,896 * 2,438 mm / 480.0" * 114.0" * 96.0"
Weight of PCS unit	6.0 T / 13,227.8 lbs
Weight of battery unit (with / without battery)	36.0 T / 16.0 T 79,366 lbs / 35,274 lbs
Degree of protection	IP54 / NEMA 3R
Operating temperature range	-30 to 50 °C / -22 to 122 °F
Relative humidity	0 ~ 95 % (non-condensing)
Max. working altitude	4,000 m (> 2,000 m derating) 13,123 ft (> 6,561 ft derating)
Cooling concept of battery chamber	Heating, Ventilation and Air Conditioning
Cooling concept of PCS chamber	Temperature controlled forced air cooling
Fire suppression system of battery unit	FM-200 extinguishment system
Communication interfaces	RS485, Ethernet
Communication protocols	Modbus RTU, Modbus TCP, IEC 104
Certificates	TÜV

