

ST548KWH-D250HV +4xSG125HV

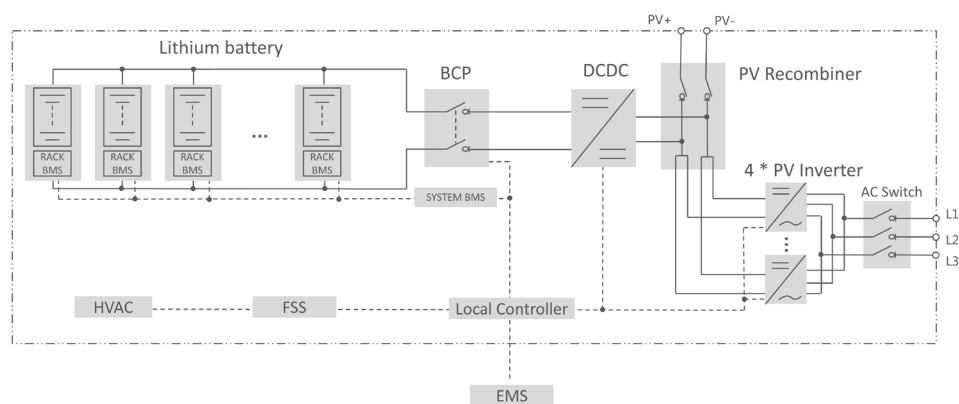
Storage System



SYSTEM FEATURES

- ESS system integrated with PV inverter
- 1500V DC coupled PV+ESS system
- Compact mechanical design, minimized footprint
- High efficient system with safe and long lifecycle lithium-ion battery
- Integrated local controller, HVAC and FSS to enable unified communication and ensure system safety

CIRCUIT DIAGRAM



System Type	ST548KWH-D250HV+4xSG125HV
PV Data	
Max PV input voltage	1,500 V
MPPT voltage range at nominal power	860 ~ 1,250 V
Number of DC inputs	5
Max. PV input current	1,250 A
DCDC Data	
Working voltage range	500 ~ 1,500 V
Nominal power	250 KW
Max. current	344 A
Battery Data	
Cell type	Samsung SDI Mega E2, 3.68 V / 94 Ah
Configuration of system	264S6P
Battery capacity (BOL)	548 kWh
Battery voltage range	844 ~1,095 V
AC Data	
AC output power	500kVA @ 50 °C
Max. AC output current	480 A
Nominal AC voltage	3 / PE, 600 V
AC voltage range	480 ~ 690 V
Nominal grid frequency / Grid frequency range	60 Hz / 55 ~ 65 Hz
Power factor at nominal power / Adjustable power factor	> 0.99 / 0.8 leading ~ 0.8 lagging
Feed-in phases / connection phases	3/3
General Data	
Dimensions (W * H * D)	6,058 * 2,896 * 2,438 mm / 238.5" * 114.0" * 96.0"
Weight (with / without battery)	12,500 kg / 8,600 kg 27,558 lbs /18,960 lbs
Degree of protection	IP 54 / NEMA 3R
Operating temperature range	-30 to 50 °C / -22 to 122 °F
Relative humidity	0 ~ 95 % (non-condensing)
Max. working altitude	2,000 m / 6,562 ft
Cooling concept of battery chamber	Heating, Ventilation and Air Conditioning
Fire suppression system of battery unit	FM-200 extinguishment system
Communication interfaces	RS485, Ethernet
Communication protocols	Modbus RTU, Modbus TCP
Compliance	UL9540