

# ST548KWH-250A

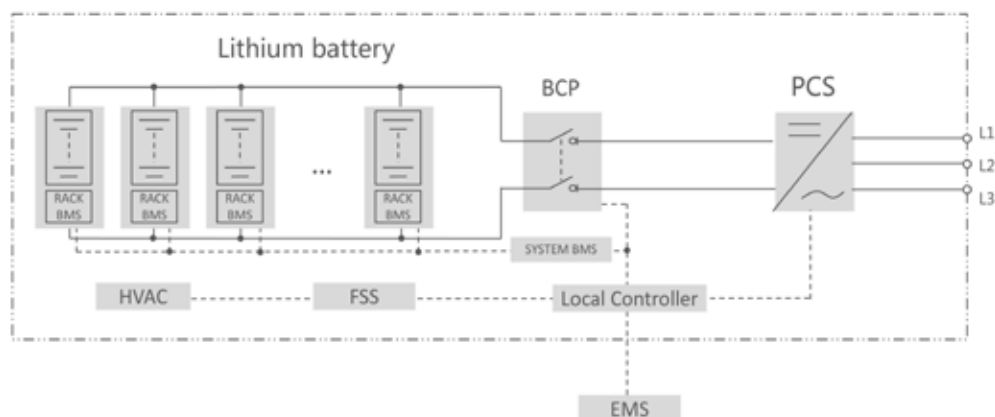
Storage System



## SYSTEM FEATURES

- All-in-one design to allow minimized on-site labor and wiring
- Integrated with local controller, HVAC and FSS to enable unified communication, ensure system safety and maximize system efficiency

## CIRCUIT DIAGRAM



System Type	ST548KWH-250A
<b>DC Data</b>	
Cell type	Samsung SDI Mega E2, 3.68V/94Ah
Configuration of system	198S8P
Battery capacity (BOL)	548 kWh
Battery voltage range	633 ~ 822 V
BMS communication interfaces	RS485, Ethernet
BMS communication protocols	Modbus RTU, Modbus TCP
<b>AC Data</b>	
Nominal AC power	250 kVA
Max. AC power	258 kVA
Max.TH <sub>D</sub> of current	< 3 % (at nominal power)
DC component	< 0.5 % (at nominal power)
Nominal grid voltage	480 V
Grid voltage range	424 ~ 508 V
Power factor	> 0.99 (at nominal power)
Power factor range at nominal power	1 leading ~ 1 lagging
Nominal grid frequency	60 Hz
Grid frequency range	59.3 - 60.5Hz
Isolation method	Transformer
Nominal output voltage of off grid	480 V
Max.TH <sub>D</sub> of off grid output voltage	< 3 % (linear load)
<b>General Data</b>	
Dimensions (W * H * D)	3,200 * 2,440 * 2,280 mm / 126.0" * 96.1" * 82.7"
Weight (with / without battery)	10.5 T / 6.5 T 23,149 lbs / 14,330 lbs
Degree of protection	IP54 / NEMA 3R
Operating temperature range	-30 to 50 °C / -22 to 122 °F
Relative humidity	0 ~ 95 % (non-condensing)
Max. working altitude	3,000 m / 9,842 ft
Cooling concept of battery chamber	Heating, Ventilation and Air Conditioning
Cooling concept of PCS chamber	Temperature controlled forced air cooling
Fire suppression system of battery unit	FM-200 extinguishment system
Communication interfaces	RS485, Ethernet,
Communication protocols	Modbus RTU, Modbus TCP
Certificates	UL9540